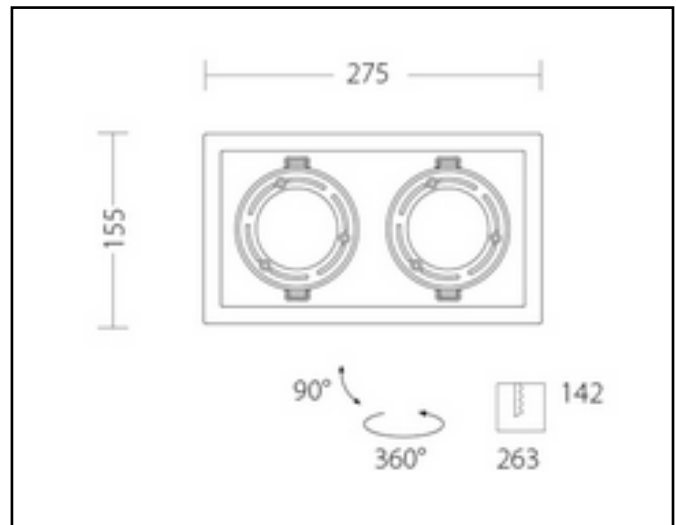


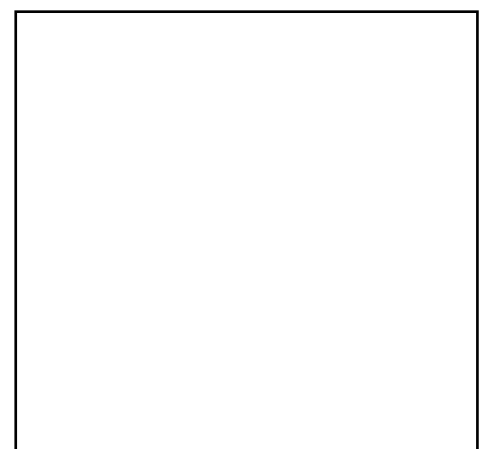
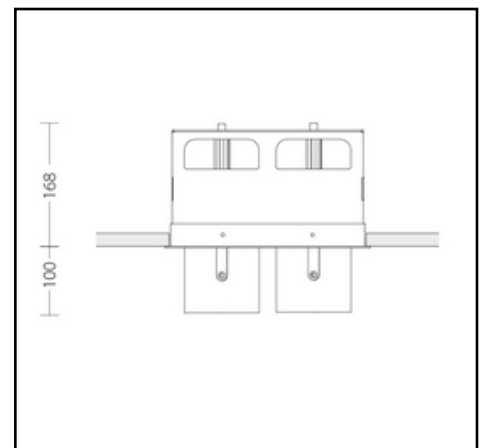
Product data sheet



KOR double light



Description	Double recessed adjustable spot
Dimensions (mm)	275mm x 155mm
Weight (kg)	3,200 kg
Housing	Aluminium housing
Colour	Black(B), white(W) or silver grey(G)
Optical system	Facet, anodized reflector
Lighting Distribution	Symmetric, 21 - 43°
Unified Glare Ratio	UGR 22
Colour temperature (K)	4000K
CRI (Ra)	> 93
SCDM	3
Net lumen output (25°C)	2x 5224lm
Efficacy – LOR (lm/W)	121 lm/W
Power (driver incl.)	2x 43W
Driver	Driver incorporated, not dimmable
IP	IP 20
IK	IK 02
Lifetime (hours)	50.000 hours L70 B20
Warranty	5 years
Origin	France
Norms	LVD 2006/95/EC EMC 2004/108/EC RoHS 2001/65/EC



All specifications, descriptions and images are purely informative, not binding and subject to errors and changes

Euro-Luce Light Engineering
Ballingsweg 25 – 9620
Zottegem
info@euro-luce.be
www.euro-luce.be
Tel 0032 54 55 71 10

Marks   