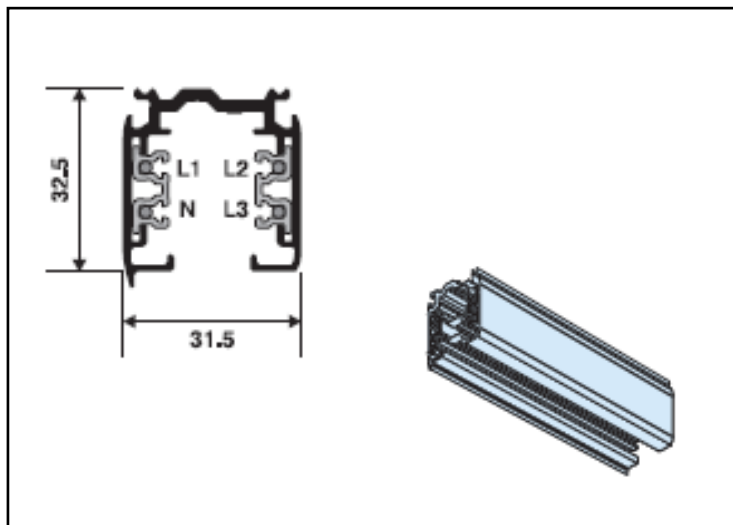


# Product data sheet

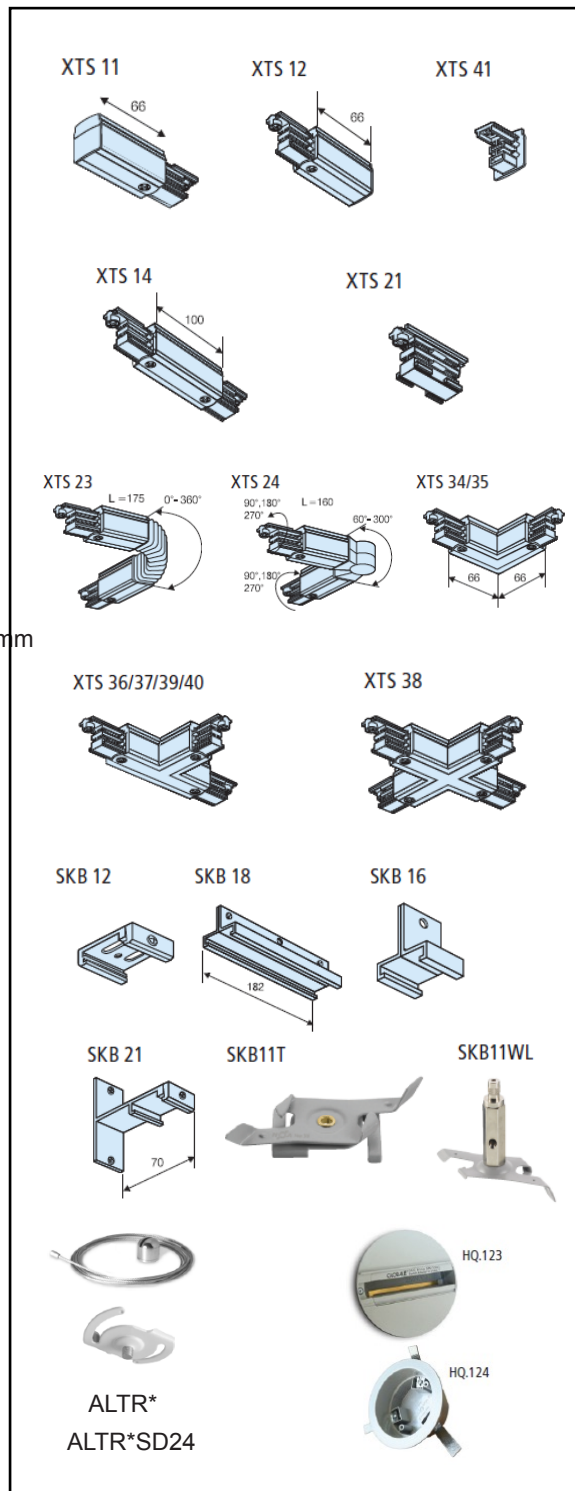


## XTS

3F-track and accessories



<b>Description</b>	Global 3F-track
<b>Dimensions (mm)</b>	1000/2000/3000/4000mm x 32,5mm x 32,5mm
<b>Weight (kg)</b>	0,500 kg / m
<b>Housing</b>	Steel sheet, painted
<b>Colour(*)</b>	Black(2), white(3) or silver grey(1)
<b>Optical system</b>	Not applicable
<b>Lighting Distribution</b>	Not applicable
<b>Unified Glare Ratio</b>	Not applicable
<b>Colour temperature (K)</b>	
<b>CRI (Ra)</b>	
<b>SCDM</b>	
<b>Net lumen output (25°C)</b>	
<b>Efficacy – LOR (lm/W)</b>	
<b>Power (driver incl.)</b>	
<b>Driver</b>	
<b>IP</b>	IP 20
<b>IK</b>	IK 03
<b>Lifetime (hours)</b>	
<b>Warranty</b>	5 years
<b>Origin</b>	Nordic, Sweden
<b>Norms</b>	ISO 9001:2008 ISO 14001:2009



All specifications, descriptions and images are purely informative, not binding and subject to errors and changes

Euro-Luce Light Engineering  
Ballingsweg 25 – 9620  
Zottegem

[info@euro-luce.be](mailto:info@euro-luce.be)  
[www.euro-luce.be](http://www.euro-luce.be)

Tel 0032 54 55 71 10

Marks