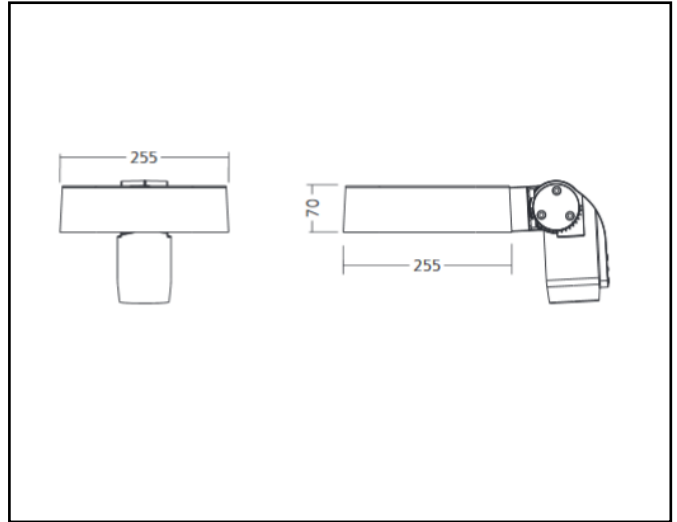


Product data sheet

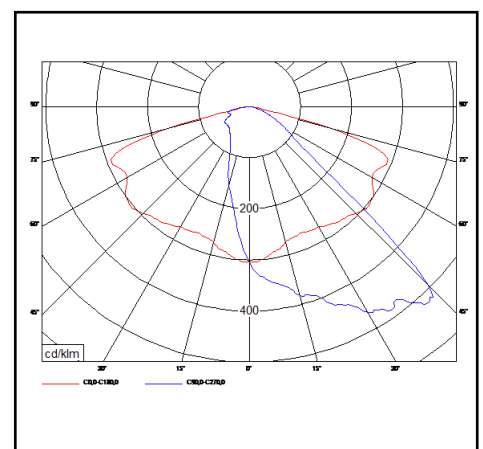
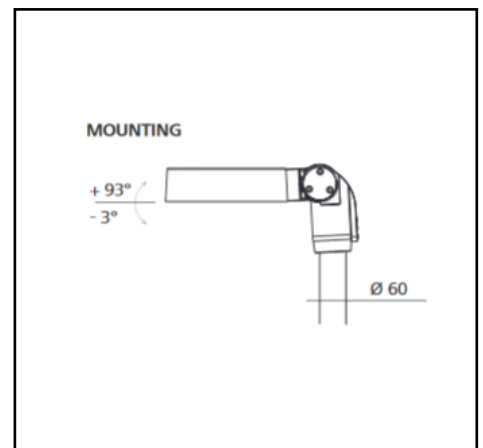


SEMAI

27W – 105W 3050lm – 11100lm



Description	Pole top luminaire
Dimensions (mm)	255mm x 255mm x 70mm
Weight (kg)	7,4 kg
Housing	Die-cast aluminium + hardened glass
Colour	Silver grey (Ral 9006)
Optical system	Clear lenses, polycarbonate
Lighting Distribution	Asymmetrical beam L01 (other lenses on request)
Unified Glare Ratio	N/A (asymmetrical)
Colour temperature (K)	4000 K
CRI (Ra)	> 70
SCDM	5
Net lumen output (25°C)	3050lm – 11100lm
Efficacy – LOR (lm/W)	106lm/W – 115lm/W
Power (driver incl.)	27W – 105W
Driver	Incorporated – non dimmable DALI or 1-10v on request
IP	IP 66
IK	IK 08
Lifetime (hours)	100.000 hours L90 B10
Warranty	5 years
Origin	Slowakija
Norms	LVD 2006/95/EC EMC 2004/108/EC RoHS 2001/65/EC



All specifications, descriptions and images are purely informative, not binding and subject to errors and changes

Euro-Luce Light Engineering
Ballingsweg 25 – 9620 Zottegem
info@euro-luce.be
www.euro-luce.be
Tel 0032 54 55 71 10