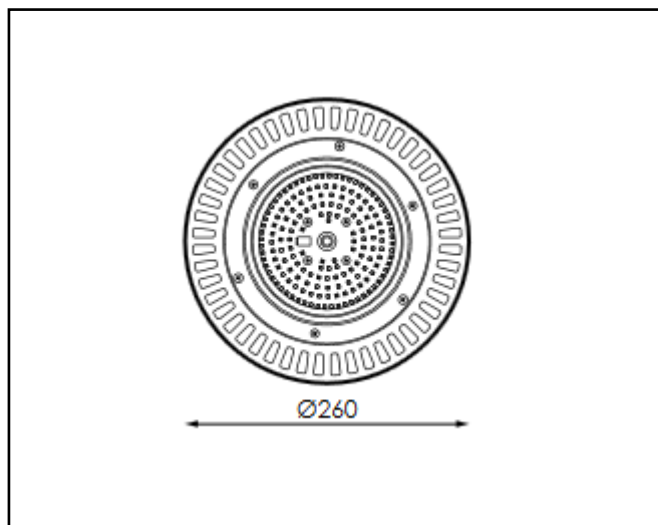


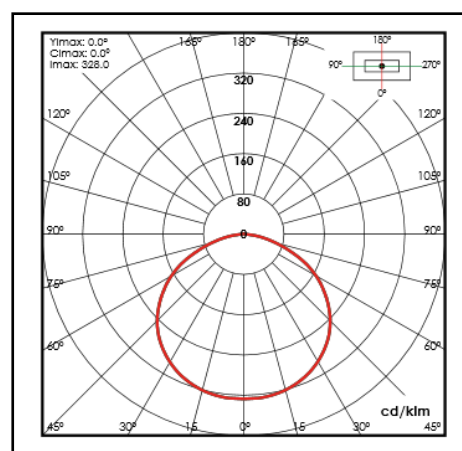
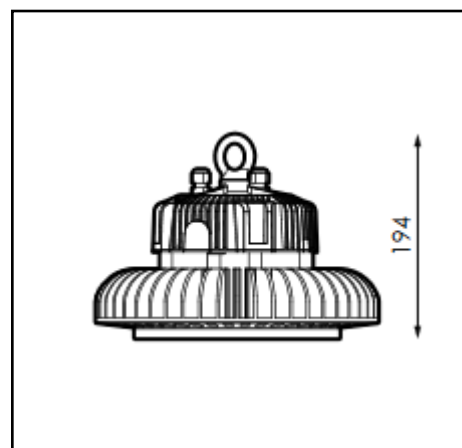
Product data sheet



ZAMA LED



Description	Suspended luminaire
Dimensions (mm)	260mm x 194mm
Weight (kg)	3,5 kg
Housing	Body+reflector aluminium
Colour	Black (RAL9005)
Optical system	Tempered glass
Lighting Distribution	Direct – rotational symmetrical 120°
Unified Glare Ratio	<22
Colour temperature (K)	4000 K
CRI (Ra)	> 80
SCDM	3
Net lumen output (25°C)	11,189 lm
Efficacy – LOR (lm/W)	131 lm/W
Power (driver incl.)	85 W
Driver	Incorporated – non dimmable DALI or 1-10v on request
IP	IP 65
IK	IK 06
Lifetime (hours)	50.000 hours L70 B20
Warranty	5 years
Origin	Slovakia
Norms	LVD 2006/95/EC EMC 2004/108/EC RoHS 2001/65/EC
Marks	CE



All specifications, descriptions and images are purely informative, not binding and subject to errors and changes

Euro-Luce Light Engineering
Ballingsweg 25 – 9620
Zottegem
info@euro-luce.be
www.euro-luce.be
Tel 0032 54 55 71 10