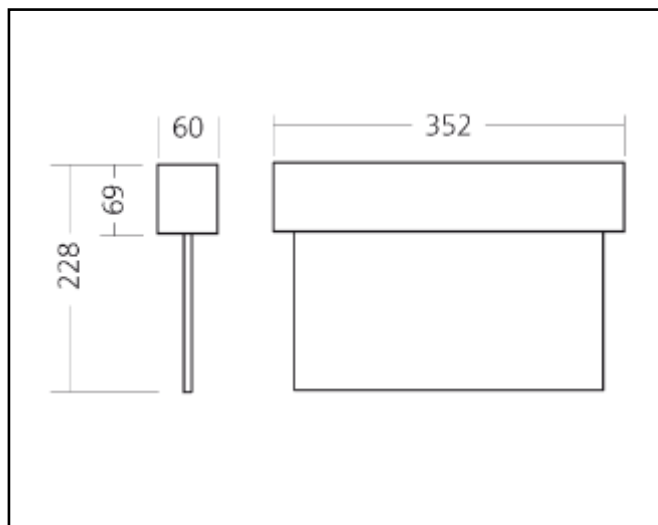


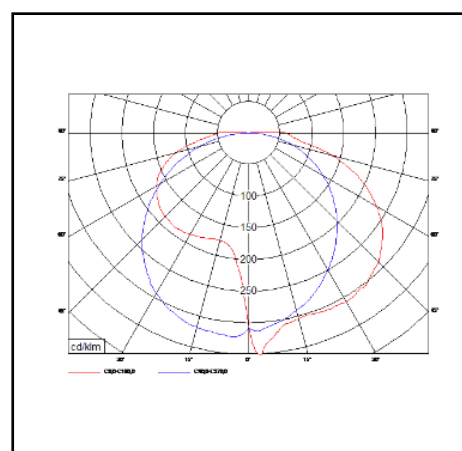
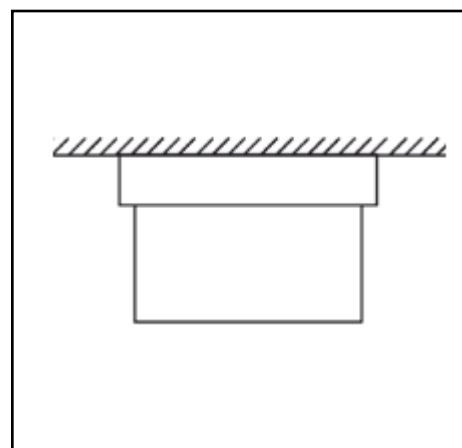
Product data sheet

EM2911

Emergency lighting 1,2W LED



Description	Surface mounted emergency lighting
Dimensions (mm)	355mm x 170mm x 110mm
Weight (kg)	2,000 kg
Housing	Plexiglass diffuser – battery 3,6V Sheet steel housing
Colour	White or grey
Optical system	Plexiglass diffusor + pictogram
Lighting Distribution	Emergency lighting
Unified Glare Ratio	N/A
Colour temperature (K)	4000
CRI (Ra)	80
SCDM	N/A
Net lumen output (25°C)	20lm
Efficacy – LOR (lm/W)	16lm/W
Power (driver incl.)	1,2W
Driver	Included – 1h non maintained
IP	IP 20
IK	IK 02
Lifetime (hours)	50.000h L80 B10
Warranty	5 years
Origin	Slowakja
Norms	LVD 2006/95/EC EMC 2004/108/EC RoHS 2001/65/EC
Marks	CE



All specifications, descriptions and images are purely informative, not binding and subject to errors and changes

Euro-Luce Light Engineering
Ballingsweg 25 – 9620
Zottegem
info@euro-luce.be
www.euro-luce.be
Tel 0032 54 55 71 10