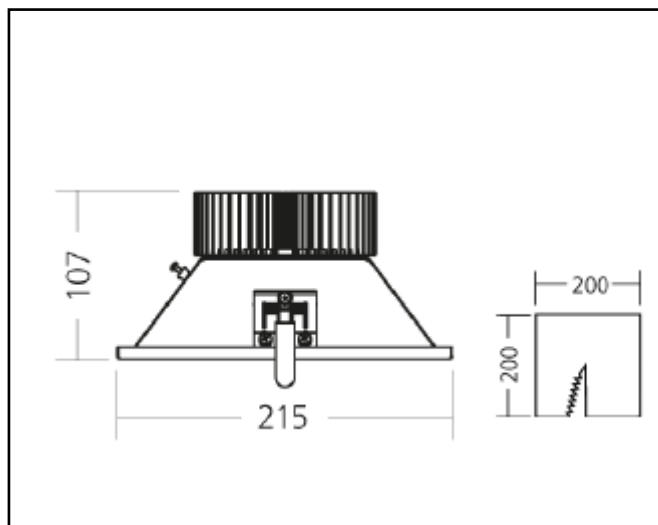
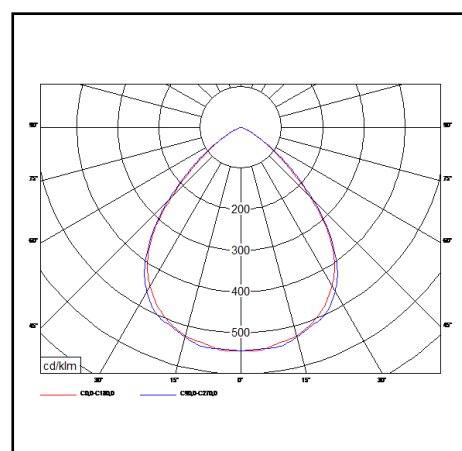
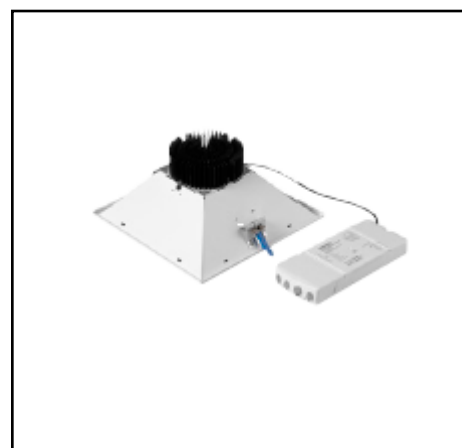


# Product data sheet

NOVIEL



|                                |   |
|--------------------------------|---|
| <b>Description</b>             | Square fixed downlight  |
| <b>Dimensions (mm)</b>         | 215mm x 215mm x 107mm   |
| <b>Weight (kg)</b>             | 1,1 kg  |
| <b>Housing</b>                 | Sheet steel body  |
| <b>Colour</b>                  | White   |
| <b>Optical system</b>          | Matt anodised reflector<br>Microprismatic PMMA diffuser               |
| <b>Lighting Distribution</b>   | Direct - symmetrical  |
| <b>Unified Glare Ratio</b>     | <22   |
| <b>Colour temperature (K)</b>  | 3000K   |
| <b>CRI (Ra)</b>                | 80  |
| <b>SCDM</b>                    | 3   |
| <b>Net lumen output (25°C)</b> | 2050 - 2450lm   |
| <b>Efficacy – LOR (lm/W)</b>   | 106lm/W   |
| <b>Power (driver incl.)</b>    | 19 - 24 W   |
| <b>Driver</b>                  | Separate box included   |
| <b>IP</b>                      | IP 20   |
| <b>IK</b>                      | IK 02   |
| <b>Lifetime (hours)</b>        | 50.000 hours L80 B10  |
| <b>Warranty</b>                | 5 years   |
| <b>Origin</b>                  | Slovakia  |
| <b>Norms</b>                   | LVD 2006/95/EC<br>EMC 2004/108/EC<br>RoHS 2001/65/EC<br>ISO 9001:2008 |



All specifications, descriptions and images are purely informative, not binding and subject to errors and changes

Euro-Luce Light Engineering  
Ballingsweg 25 – 9620  
Zottegem

[info@euro-luce.be](mailto:info@euro-luce.be)  
[www.euro-luce.be](http://www.euro-luce.be)

Tel 0032 54 55 71 10

Marks