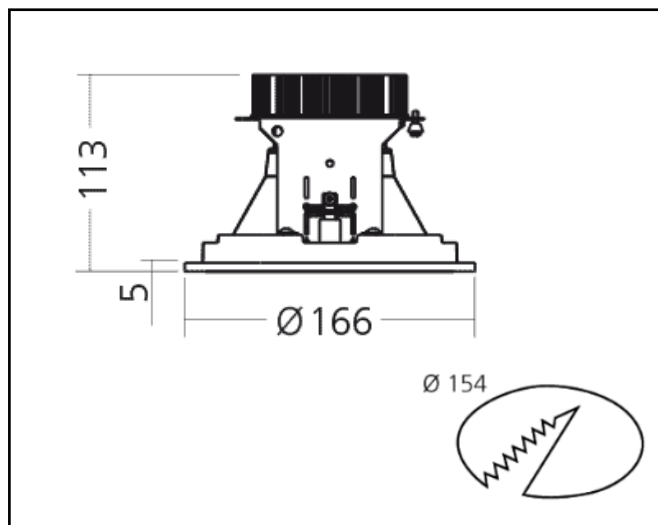





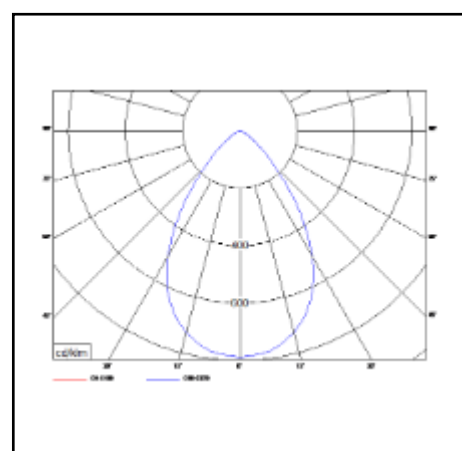
# Product data sheet

## PRETTUS II S

15W 1500lm 65° 830 WHITE



<b>Description</b>	Fixed symmetrical downlight
<b>Dimensions (mm)</b>	166mm x 113mm
<b>Weight (kg)</b>	800g
<b>Housing</b>	Sheet steel housing Diffuser PMMA
<b>Colour</b>	White (RAL9003)
<b>Optical system</b>	matt anodised aluminium reflector 69°
<b>Lighting Distribution</b>	direct
<b>Unified Glare Ratio</b>	<22
<b>Colour temperature (K)</b>	3000
<b>CRI (Ra)</b>	80
<b>SCDM</b>	3
<b>Net lumen output (25°C)</b>	1500lm
<b>Efficacy – LOR (lm/W)</b>	100lm/W
<b>Power (driver incl.)</b>	15 W
<b>Driver</b>	Separate box included
<b>IP</b>	IP 40
<b>IK</b>	
<b>Lifetime (hours)</b>	50.000 hours L90 B10
<b>Warranty</b>	5 years
<b>Origin</b>	Slovakia
<b>Norms</b>	LVD 2006/95/EC EMC 2004/108/EC RoHS 2001/65/EC ISO 9001:2008
<b>Marks</b>	  



All specifications, descriptions and images are purely informative, not binding and subject to errors and changes

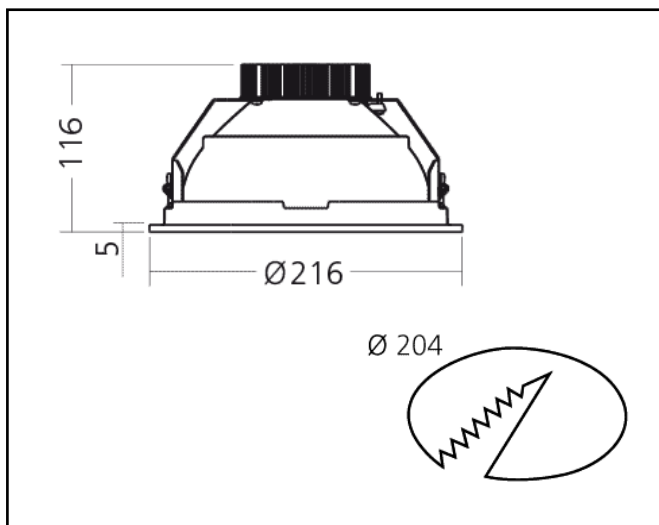
Euro-Luce Light Engineering  
Ballingsweg 25 – 9620 Zottegem  
[info@euro-luce.be](mailto:info@euro-luce.be)  
[www.euro-luce.be](http://www.euro-luce.be)  
Tel 0032 54 55 71 10

# Product data sheet

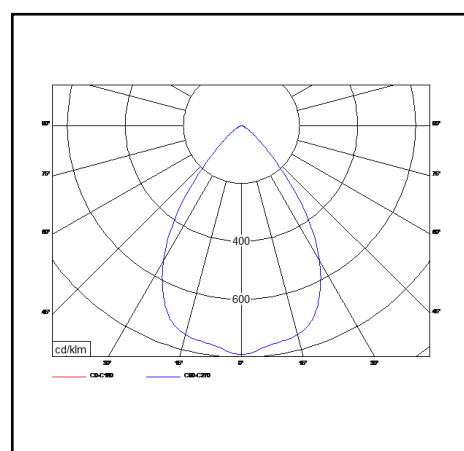


## PRETTUS II M

19w 2100lm 830 IP40 Polished



<b>Description</b>	Recessed LED-downlight with separate driverbox, polished reflector, high efficiency reflector and PMMA cover
<b>Dimensions (mm)</b>	216mm x 116mm, 204mm cut out
<b>Weight (kg)</b>	0,900 kg
<b>Housing</b>	Sheet steel, anodized aluminium reflector, PMMA clear cover
<b>Colour</b>	white(W) or RAL-colours on request
<b>Optical system</b>	Micro-prismatic PMMA, clear cover 70°
<b>Lighting Distribution</b>	70°
<b>Unified Glare Ratio</b>	UGR < 22
<b>Colour temperature (K)</b>	3000 K
<b>CRI (Ra)</b>	> 80
<b>SCDM</b>	3
<b>Net lumen output (25°C)</b>	2100 lm
<b>Efficacy – LOR (lm/W)</b>	111 lm/W
<b>Power (driver incl.)</b>	19 W
<b>Driver</b>	Separate Driver Box, included DALI or 1-10v on request
<b>IP</b>	IP 20
<b>IK</b>	IK 02
<b>Lifetime (hours)</b>	50.000 hours L90 B10
<b>Warranty</b>	5 years
<b>Origin</b>	Slovakija
<b>Norms</b>	LVD 2006/95/EC EMC 2004/108/EC RoHS 2001/65/EC ISO 9001:2008 ISO 14001:2009
<b>Marks</b>	



All specifications, descriptions and images are purely informative, not binding and subject to errors and changes

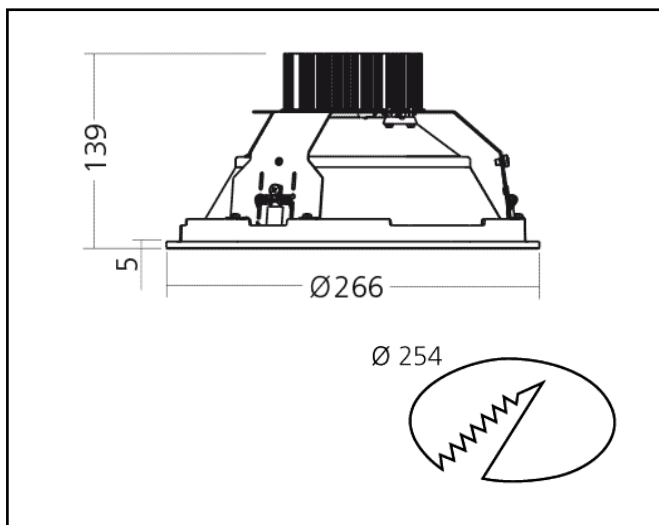
Euro-Luce Light Engineering  
Ballingsweg 25 – 9620 Zottegem  
[info@euro-luce.be](mailto:info@euro-luce.be)  
[www.euro-luce.be](http://www.euro-luce.be)  
Tel 0032 54 55 71 10

# Product data sheet

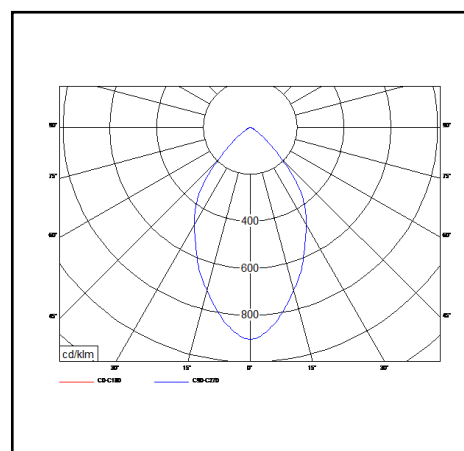


## PRETTUS II L

28w 3150lm 830 IP40 Polished



<b>Description</b>	Recessed LED-downlight with separate driverbox, polished reflector, high efficiency reflector and PMMA cover
<b>Dimensions (mm)</b>	266mm x 139mm, 254mm cut out
<b>Weight (kg)</b>	1,3 kg
<b>Housing</b>	Sheet steel, anodized aluminium reflector, PMMA clear cover
<b>Colour</b>	white(W) or RAL-colours on request
<b>Optical system</b>	Micro-prismatic PMMA, clear cover 65°
<b>Lighting Distribution</b>	65°
<b>Unified Glare Ratio</b>	UGR < 22
<b>Colour temperature (K)</b>	3000 K
<b>CRI (Ra)</b>	> 80
<b>SCDM</b>	3
<b>Net lumen output (25°C)</b>	3150 lm
<b>Efficacy – LOR (lm/W)</b>	113 lm/W
<b>Power (driver incl.)</b>	28 W
<b>Driver</b>	Separate Driver Box, included DALI or 1-10v on request
<b>IP</b>	IP 20
<b>IK</b>	IK 02
<b>Lifetime (hours)</b>	100.000 hours L90 B20
<b>Warranty</b>	5 years
<b>Origin</b>	Slovakija
<b>Norms</b>	LVD 2006/95/EC EMC 2004/108/EC RoHS 2001/65/EC ISO 9001:2008 ISO 14001:2009
<b>Marks</b>	



All specifications, descriptions and images are purely informative, not binding and subject to errors and changes

Euro-Luce Light Engineering  
Ballingsweg 25 – 9620 Zottegem  
[info@euro-luce.be](mailto:info@euro-luce.be)  
[www.euro-luce.be](http://www.euro-luce.be)  
Tel 0032 54 55 71 10