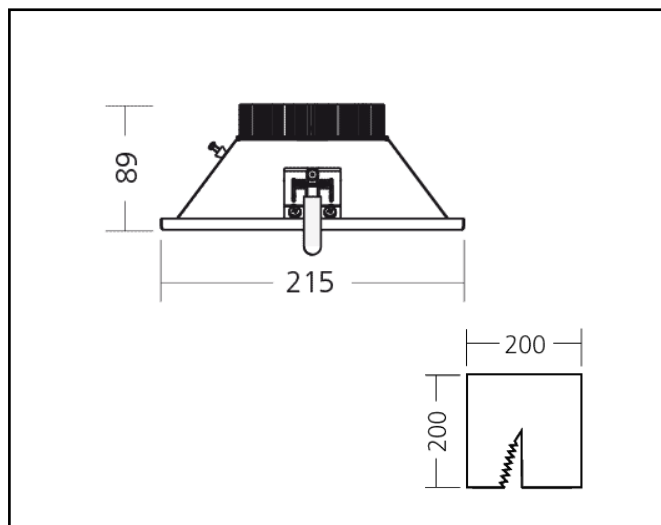


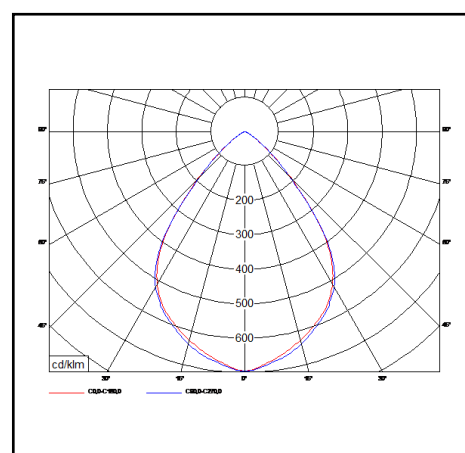
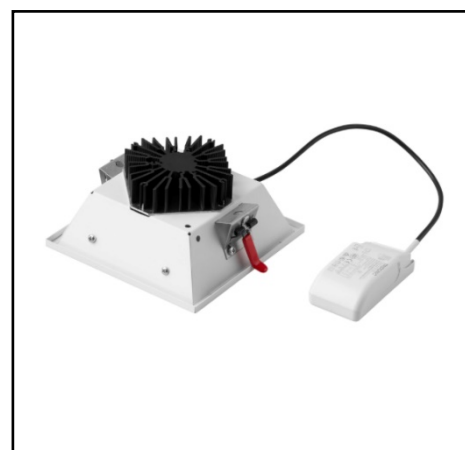
Product data sheet

NOVIEL II ASYMMETRIC

15W – 32W 1500lm – 3800lm



Description	Square fixed downlight
Dimensions (mm)	165mm x 165mm x 79mm – 265mm x 265mm x 126mm
Weight (kg)	1,1kg
Housing	Sheet steel body
Colour	White
Optical system	Matt anodised reflector Microprismatic PMMA diffuser
Lighting Distribution	Direct – asymmetrical 80°
Unified Glare Ratio	<22
Colour temperature (K)	3000K – 4000K
CRI (Ra)	80
SCDM	3
Net lumen output (25°C)	1500lm – 3800lm
Efficacy – LOR (lm/W)	97lm/W – 119lm/W
Power (driver incl.)	15W – 32W
Driver	Separate box included
IP	IP 20
IK	IK 02
Lifetime (hours)	50.000 hours L90 B10
Warranty	5 years
Origin	Slovakia
Norms	LVD 2006/95/EC EMC 2004/108/EC RoHS 2001/65/EC ISO 9001:2008
Marks	



All specifications, descriptions and images are purely informative, not binding and subject to errors and changes

Euro-Luce Light Engineering
 Ballingsweg 25 – 9620 Zottegem
info@euro-luce.be
www.euro-luce.be
 Tel 0032 54 55 71 10