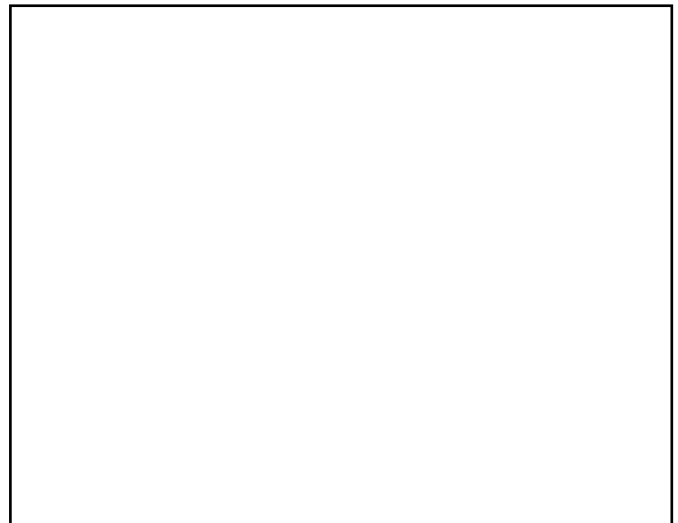


Product data sheet

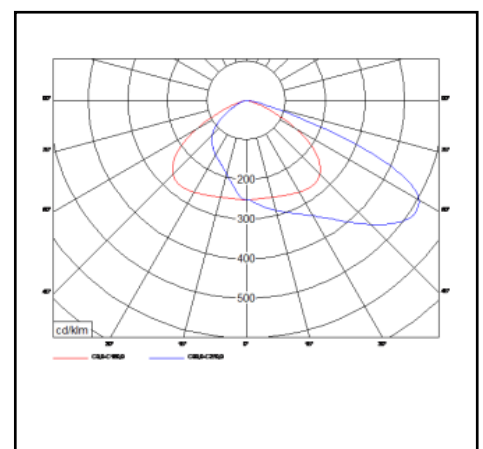
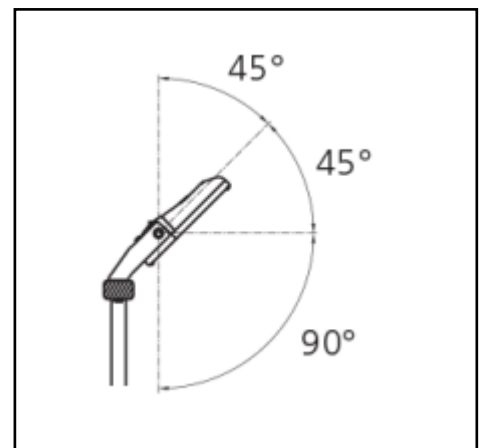


CAPRIOLA II

50W – 200W 6650lm – 28000lm



Description	LED projector
Dimensions (mm)	302mm x 360mm x 67mm
Weight (kg)	3,5 kg
Housing	Die-cast aluminium + hardened glass
Colour	Black (Ral 9017)
Optical system	Asymmetric lenses
Lighting Distribution	Asymmetrical wide beam or 55°
Unified Glare Ratio	>25
Colour temperature (K)	3000K – 5700K
CRI (Ra)	> 70
SCDM	3
Net lumen output (25°C)	6650lm – 28000lm
Efficacy – LOR (lm/W)	133lm/W – 140lm/W
Power (driver incl.)	50W – 200W
Driver	Electronic control gear FIX (ECG) External lead-in flexible cable
IP	IP 65
IK	IK 08
Lifetime (hours)	50.000 hours L70 B50
Warranty	5 years
Origin	Slowakja
Norms	LVD 2006/95/EC EMC 2004/108/EC RoHS 2001/65/EC



All specifications, descriptions and images are purely informative, not binding and subject to errors and changes

Euro-Luce Light Engineering
Ballingsweg 25 – 9620 Zottegem

info@euro-luce.be

www.euro-luce.be

Tel 0032 54 55 71 10

Marks