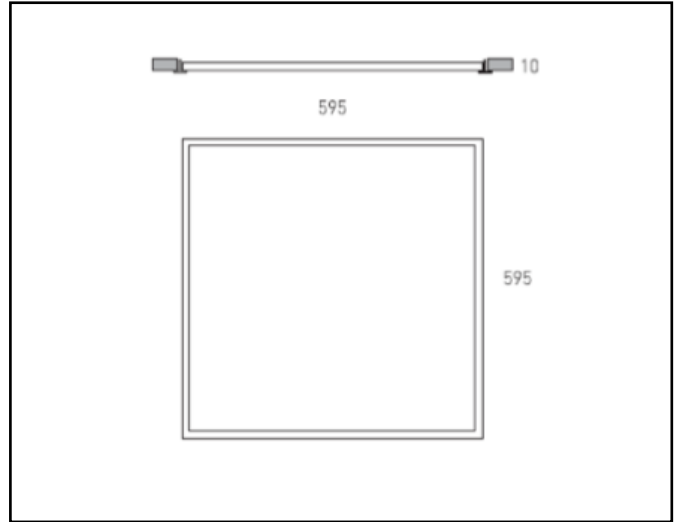
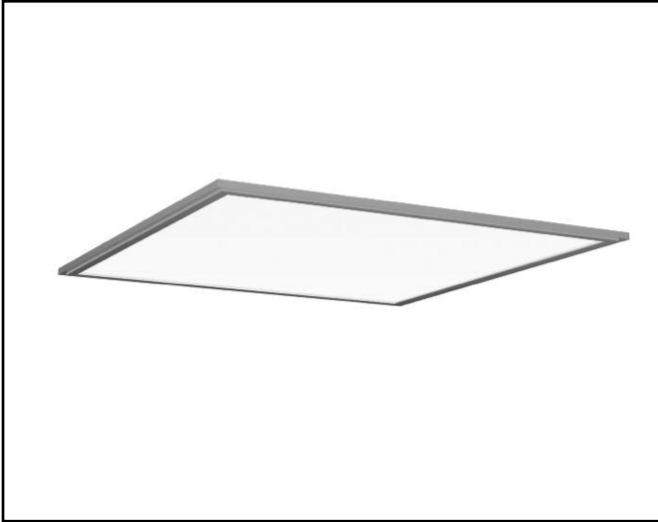



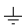
Product data sheet

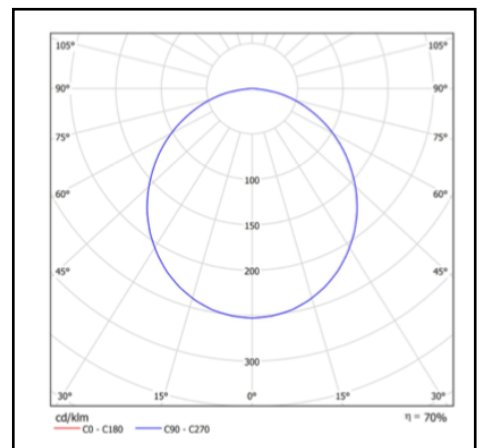
EURO-LUCE
Light Engineering

ESLIM

20W – 60W 2000lm – 6000lm



| | |
|--------------------------------|---|
| Description | Recessed luminaire (Surface mounting frame or suspension set available on request) |
| Dimensions (mm) | 595mm x595mm x 10mm |
| Weight (kg) | 6,1 kg |
| Housing | Steel sheet, painted |
| Colour | White, black, grey, matt chrome |
| Optical system | Prismatic PMMA diffuser |
| Lighting Distribution | Direct 74° |
| Unified Glare Ratio | <22 |
| Colour temperature (K) | 3000K – 5700K |
| CRI (Ra) | 80 |
| SCDM | 3 |
| Net lumen output (25°C) | 2000lm – 6000lm |
| Efficacy – LOR (lm/W) | 100lm/W |
| Power (driver incl.) | 20W – 60W |
| Driver | Driver incorporated DALI or 1-10v on request |
| IP | IP 44 |
| IK | IK 02 |
| Lifetime (hours) | 50.000 hours L70 B50 |
| Warranty | 5 years |
| Origin | Spain |
| Norms | LVD 2006/95/EC EMC 2004/108/EC RoHS 2001/65/EC ISO 9001:2008 ISO 14001:2009 |
| Marks |   |



All specifications, descriptions and images are purely informative, not binding and subject to errors and changes

Euro-Luce Light Engineering
Ballingsweg 25 – 9620 Zottegem
info@euro-luce.be
www.euro-luce.be
Tel 0032 54 55 71 10