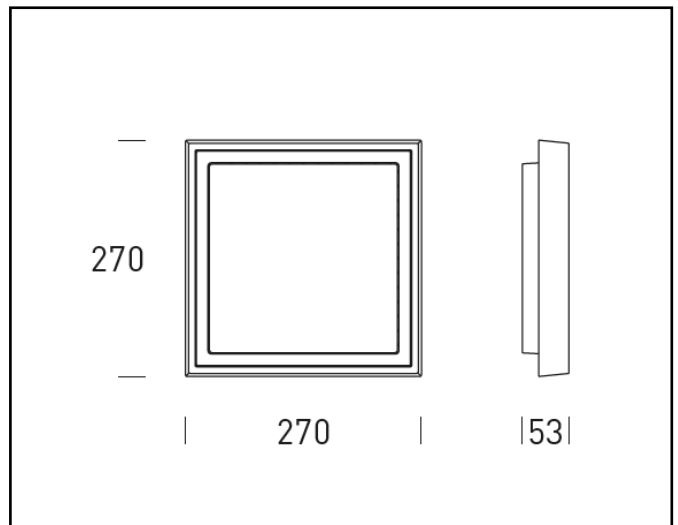


# Product data sheet

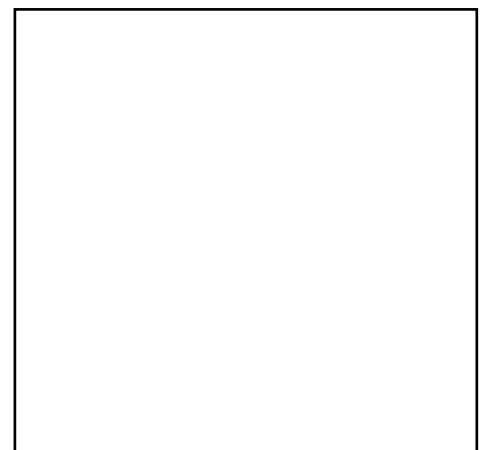


LATVIA

25W 2050lm



<b>Description</b>	Surface mounted fixture
<b>Dimensions (mm)</b>	270mm x 270mm x 53mm
<b>Weight (kg)</b>	1,75kg
<b>Housing</b>	Extruded aluminium – safety glass
<b>Colour</b>	White or black
<b>Optical system</b>	Anodised reflector
<b>Lighting Distribution</b>	Symmetrical 110°
<b>Unified Glare Ratio</b>	<21
<b>Colour temperature (K)</b>	3000K
<b>CRI (Ra)</b>	80
<b>SCDM</b>	3
<b>Net lumen output (25°C)</b>	2050lm
<b>Efficacy – LOR (lm/W)</b>	82lm/W
<b>Power (driver incl.)</b>	25W
<b>Driver</b>	Included – non dim
<b>IP</b>	IP 54
<b>IK</b>	IK 10
<b>Lifetime (hours)</b>	50.000h L80 B10
<b>Warranty</b>	3 years
<b>Origin</b>	Spain
<b>Norms</b>	LVD 2006/95/EC EMC 2004/108/EC RoHS 2001/65/EC



All specifications, descriptions and images are purely informative, not binding and subject to errors and changes

Euro-Luce Light Engineering  
Ballingsweg 25 – 9620 Zottegem  
[info@euro-luce.be](mailto:info@euro-luce.be)  
[www.euro-luce.be](http://www.euro-luce.be)  
Tel 0032 54 55 71 10

Marks