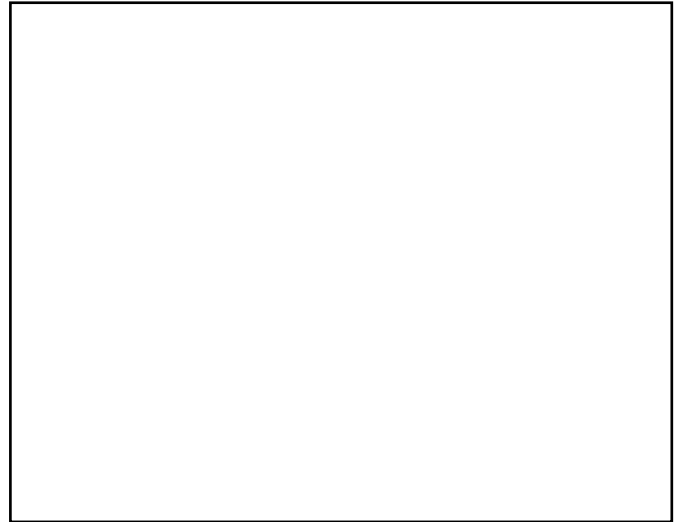
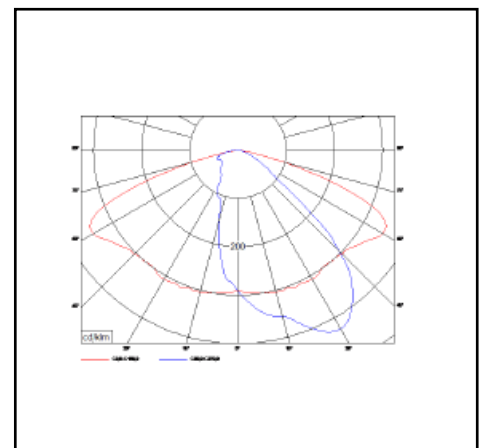
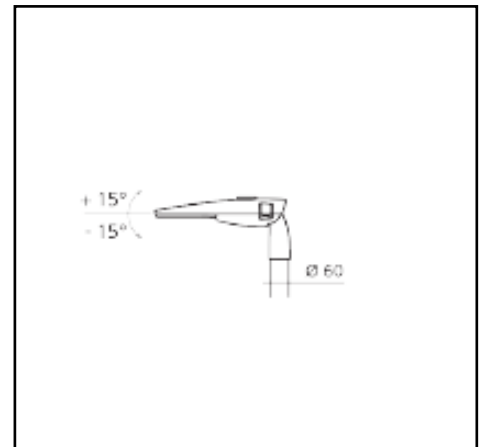


Torcus

10W – 176W 1700lm – 29200lm



Description	Pole top luminaire
Dimensions (mm)	620mm x 287mm x 118mm – 922mm x 362mm x 140mm
Weight (kg)	5kg – 13,5kg
Housing	housing die-cast alu, Pole TOP 60mm
Colour	Silver grey (Ral 9006)
Optical system	Clear lenses, transparent hardened glass
Lighting Distribution	Asymmetrical beam L01 (other lenses on request)
Unified Glare Ratio	N/A (asymmetrical)
Colour temperature (K)	4000 K
CRI (Ra)	> 70
SCDM	5
Net lumen output (25°C)	1700lm – 29200lm
Efficacy – LOR (lm/W)	150lm/W – 170lm/W
Power (driver incl.)	10W – 176W
Driver	Incorporated – non dimmable DALI or 1-10v on request
IP	IP 66
IK	IK 09
Lifetime (hours)	100.000 hours L100 B10(CLO-version)
Warranty	5 years
Origin	Slowakija
Norms	LVD 2006/95/EC EMC 2004/108/EC RoHS 2001/65/EC ENEC



All specifications, descriptions and images are purely informative, not binding and subject to errors and changes

Euro-Luce Light Engineering
Ballingsweg 25 – 9620 Zottegem
info@euro-luce.be
www.euro-luce.be
Tel 0032 54 55 71 10