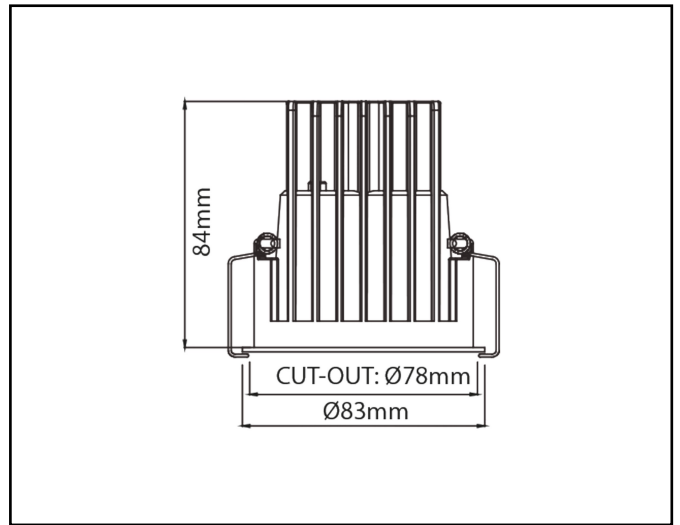
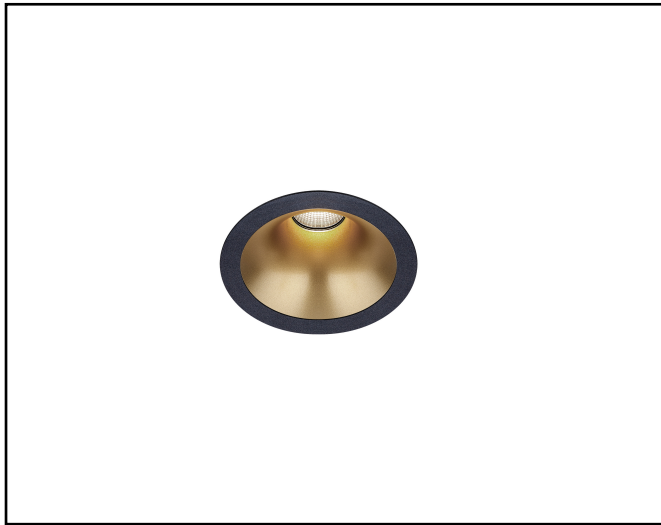


# Product data sheet

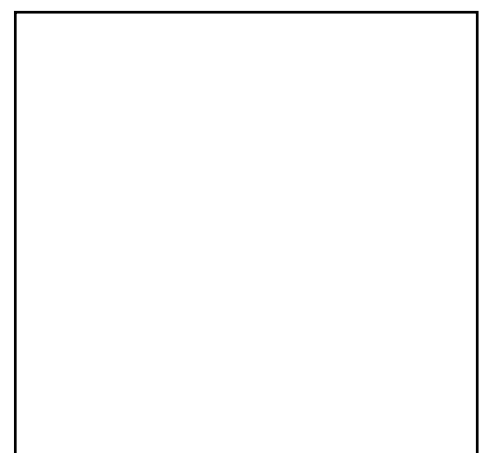
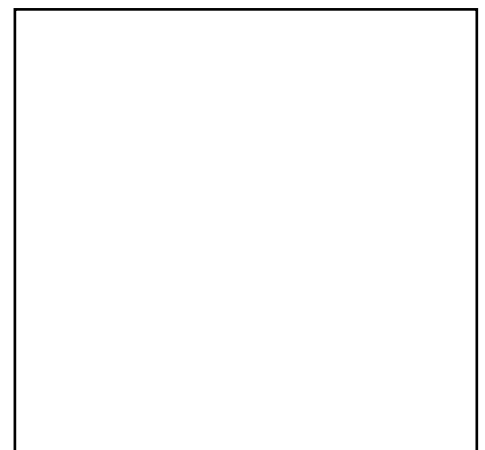


## Dea Amata M

12,5W – 1190lm 930 40° black/gold



<b>Description</b>	Recessed accent spot
<b>Dimensions (mm)</b>	84mm x 83mm
<b>Weight (kg)</b>	/
<b>Housing</b>	Extruded aluminium – safety glass
<b>Colour</b>	Black/ Gold, Black/ Silver, Black/ White, Black/ Black High Gloss, Black/ Black Matt, Black/ Chrome, Black/ Copper, White/ Gold, White/ Silver High Gloss, White/ White, White/ Black High Gloss, White/ Black Matt, White/ Chrome, White/ Copper
<b>Optical system</b>	Anodised reflector
<b>Lighting Distribution</b>	Symmetrical 40°
<b>Unified Glare Ratio</b>	<21
<b>Colour temperature (K)</b>	3000K
<b>CRI (Ra)</b>	90
<b>SCDM</b>	3
<b>Net lumen output (25°C)</b>	1190lm
<b>Efficacy – LOR (lm/W)</b>	95 lm/W
<b>Power (driver incl.)</b>	12,5W
<b>Driver</b>	Included – Dali, Phase cut, dim to warm, tunable white or Bluetooth dimmable on request
<b>IP</b>	IP 20
<b>IK</b>	IK 02
<b>Lifetime (hours)</b>	50.000h L80 B10
<b>Warranty</b>	5 years
<b>Origin</b>	The Netherlands
<b>Norms</b>	LVD 2006/95/EC EMC 2004/108/EC RoHS 2001/65/EC



All specifications, descriptions and images are purely informative, not binding and subject to errors and changes

Euro-Luce Light Engineering  
Ballingsweg 25 – 9620 Zottegem  
[info@euro-luce.be](mailto:info@euro-luce.be)  
[www.euro-luce.be](http://www.euro-luce.be)  
Tel 0032 54 55 71 10

Marks