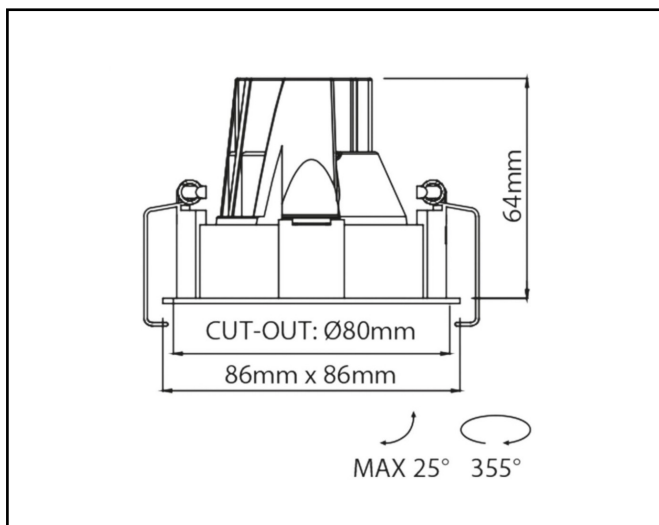
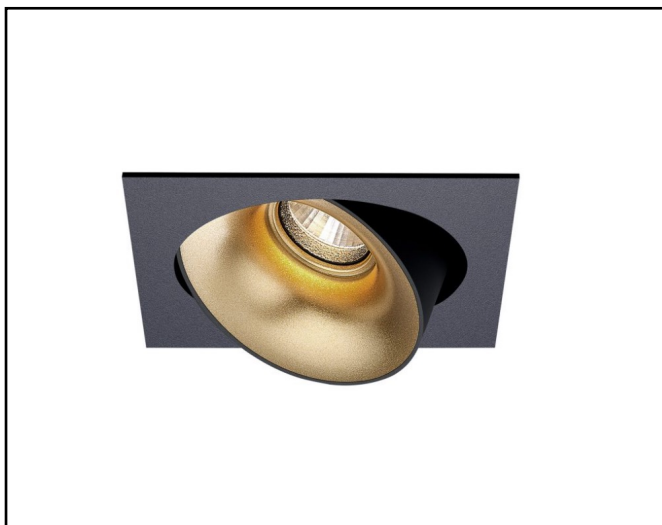


Product data sheet

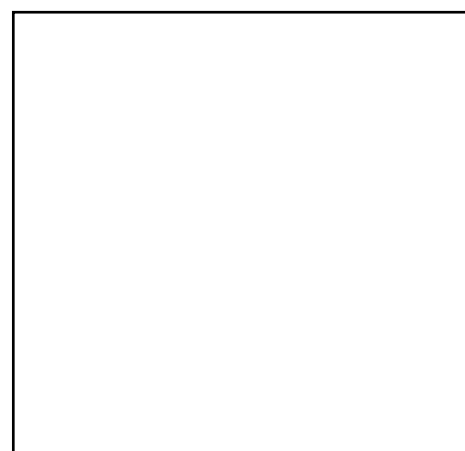
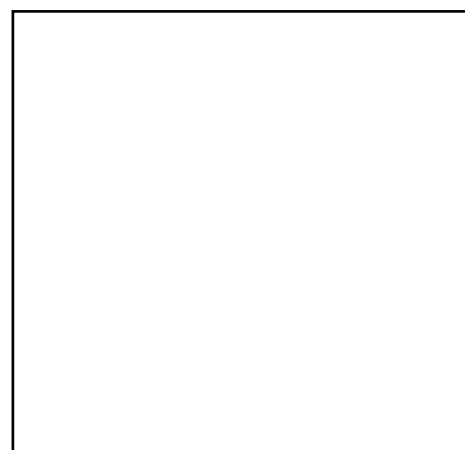


Dea Ceres S

8,5W – 880lm 930 40° black/gold



Description	Recessed accent spot
Dimensions (mm)	86mm x 86mm x 64mm
Weight (kg)	/
Housing	Extruded aluminium – safety glass
Colour	Black/ Gold, Black/ Silver, Black/ White, Black/ Black High Gloss, Black/ Black Matt, Black/ Chrome, Black/ Copper, White/ Gold, White/ Silver High Gloss, White/ White, White/ Black High Gloss, White/ Black Matt, White/ Chrome, White/ Copper
Optical system	Anodised reflector
Lighting Distribution	Symmetrical 40°
Unified Glare Ratio	<21
Colour temperature (K)	3000K
CRI (Ra)	90
SCDM	3
Net lumen output (25°C)	880lm
Efficacy – LOR (lm/W)	103 lm/W
Power (driver incl.)	8,5W
Driver	Included – Dali, Phase cut, dim to warm, tunable white or Bluetooth dimmable on request
IP	IP 20
IK	IK 02
Lifetime (hours)	50.000h L80 B10
Warranty	5 years
Origin	The Netherlands
Norms	LVD 2006/95/EC EMC 2004/108/EC RoHS 2001/65/EC



All specifications, descriptions and images are purely informative, not binding and subject to errors and changes

Euro-Luce Light Engineering
Ballingsweg 25 – 9620 Zottegem
info@euro-luce.be
www.euro-luce.be
Tel 0032 54 55 71 10

Marks