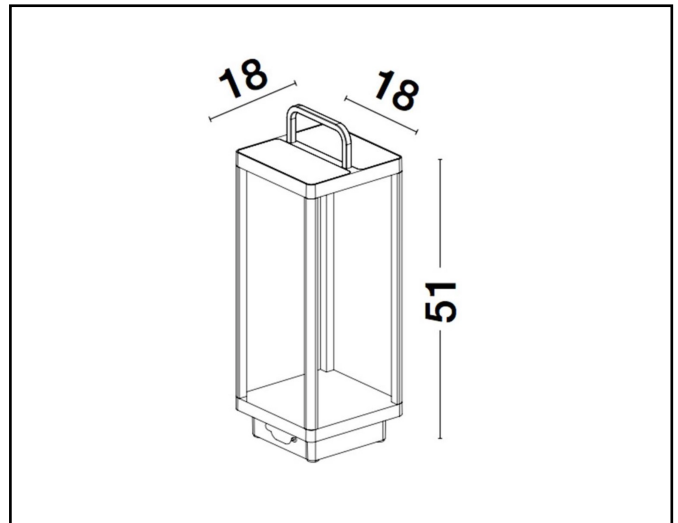


# Product data sheet

## BALI 51

2W – 310lm – 3000K – 510mm



<b>Description</b>	Portable, decorative Garden Lighting. Rechargeable via USB or via integrated solar panel
<b>Dimensions (mm)</b>	510mm x 180
<b>Weight (kg)</b>	2,100 kg
<b>Housing</b>	alumnium
<b>Colour</b>	Anthracite
<b>Optical system</b>	indirect
<b>Lighting Distribution</b>	Opal Diffuser, 108°
<b>Unified Glare Ratio</b>	22
<b>Colour temperature (K)</b>	3000K
<b>CRI (Ra)</b>	80
<b>SCDM</b>	3
<b>Net lumen output (25°C)</b>	310lm
<b>Efficacy – LOR (lm/W)</b>	155lm/W
<b>Power (driver incl.)</b>	2W
<b>Driver</b>	230V
<b>IP</b>	IP 65
<b>IK</b>	IK 06
<b>Lifetime (hours)</b>	Batteries – USB recharable or via solar energy
<b>Warranty</b>	2 years
<b>Origin</b>	Greece
<b>Norms</b>	LVD 2006/95/EC EMC 2004/108/EC RoHS 2001/65/EC



All specifications, descriptions and images are purely informative, not binding and subject to errors and changes

Euro-Luce Light Engineering  
Ballingsweg 25 – 9620 Zottegem  
[info@euro-luce.be](mailto:info@euro-luce.be)  
[www.euro-luce.be](http://www.euro-luce.be)  
Tel 0032 54 55 71 10

Marks