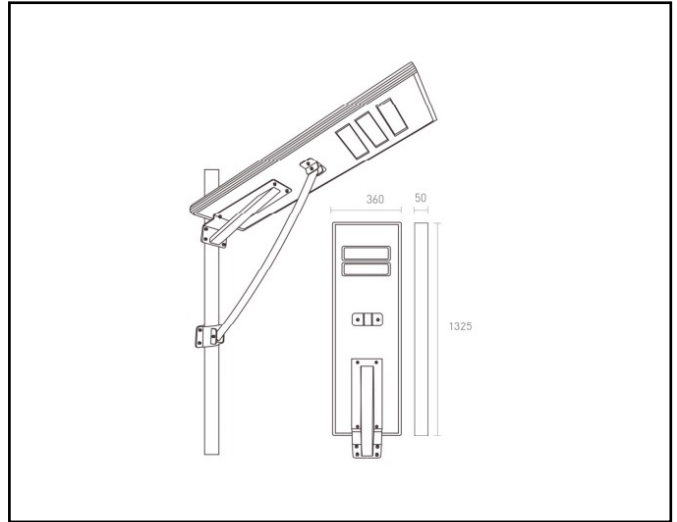


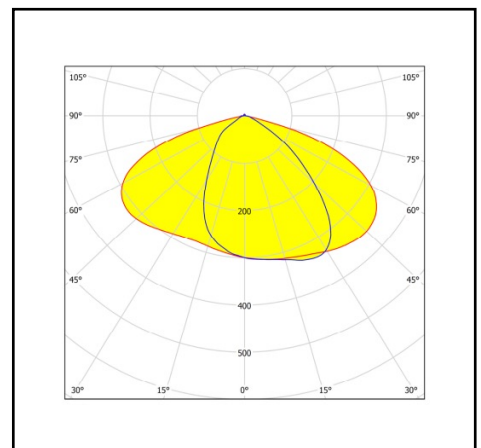
Product data sheet

Noox 50

50W – 7000lm – 4000K – Solar



Description	Solar powered street lighting
Dimensions (mm)	360mm x 1325mm x 50mm
Weight (kg)	19 kg
Housing	aluminium
Colour	Grey
Optical system	direct
Lighting Distribution	Opal Diffuser, 87°
Unified Glare Ratio	22
Colour temperature (K)	4000K
CRI (Ra)	70
SCDM	3
Net lumen output (25°C)	7000lm
Efficacy – LOR (lm/W)	140lm/W
Power (driver incl.)	50W
Driver	Driver + controller
IP	IP 65
IK	IK 08
Lifetime (hours)	40.000 hours batteries – rechargeable via solar energy (6-8h) charging time, autonomy of 2 days
Warranty	5 years
Origin	Spain
Norms	LVD 2006/95/EC EMC 2004/108/EC RoHS 2001/65/EC



All specifications, descriptions and images are purely informative, not binding and subject to errors and changes

Euro-Luce Light Engineering
Ballingsweg 25 – 9620 Zottegem
info@euro-luce.be
www.euro-luce.be
Tel 0032 54 55 71 10

Marks

