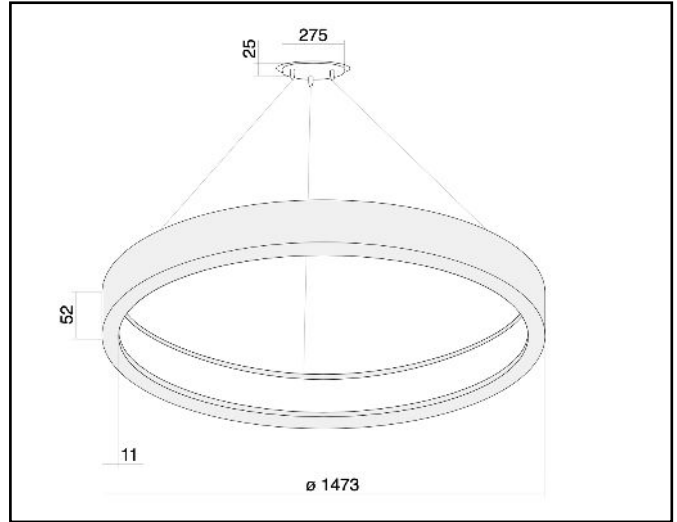
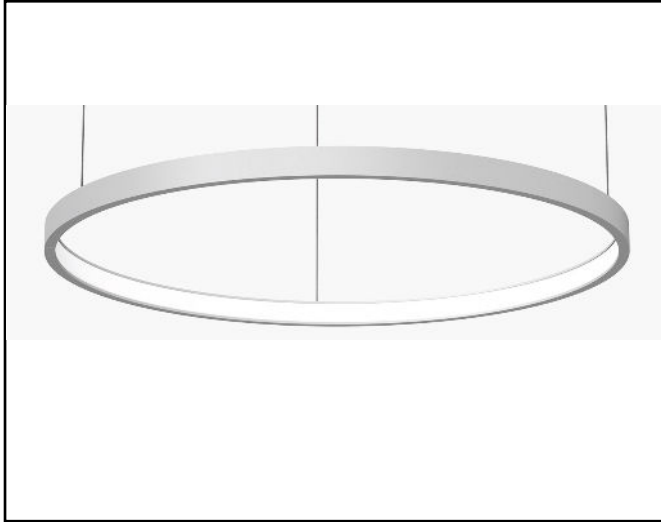


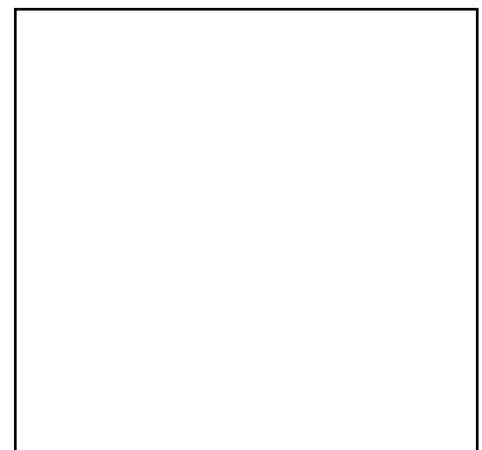
# Product data sheet



Inot ICC  
20W - 70W



<b>Description</b>	Suspended luminaire
<b>Dimensions (mm)</b>	700-900-1200-1500 x 11mm x 52mm
<b>Weight (kg)</b>	
<b>Housing</b>	Aluminium
<b>Colour</b>	Grey + (24 RAL colours)
<b>Optical system</b>	Opal
<b>Lighting Distribution</b>	Direct on inside
<b>Unified Glare Ratio</b>	
<b>Colour temperature (K)</b>	3000K – 4000K
<b>CRI (Ra)</b>	>80
<b>SCDM</b>	3
<b>Net lumen output (25°C)</b>	1500lm – 7000lm
<b>Efficacy – LOR (lm/W)</b>	100lm/W
<b>Power (driver incl.)</b>	20W – 25W – 35W – 40W – 50W – 70W
<b>Driver</b>	Driver incl. Dali available
<b>IP</b>	IP 40
<b>IK</b>	IK 02
<b>Lifetime (hours)</b>	60,000 h L80B10
<b>Warranty</b>	3 years
<b>Origin</b>	Spain
<b>Norms</b>	



All specifications, descriptions and images are purely informative, not binding and subject to errors and changes

Euro-Luce Light Engineering  
Ballingsweg 25  
9620 Zottegem  
[info@euro-luce.be](mailto:info@euro-luce.be)  
[www.euro-luce.be](http://www.euro-luce.be)  
Tel 0032 54 55 71 10

Marks